

NO.	DATE	REV. BY	DESCRIPTION
1	06/11/20	SDI	FOR SUBMISSION TO P. & Z

Divesta
Civil Engineering Associates, Inc.

51 Painter Ridge Road
Roxbury, Connecticut 06783
Phone 860-354-4226 Fax 860-354-4226
E-mail dcoaine@chartr.net

2005 IRREVOCABLE KIRMAR TRUST
90 PEAR TREE POINT ROAD
DARIEN, CONNECTICUT
PROPOSED SITE DEVELOPMENT PLAN

NOTES PER PLANNING & ZONING

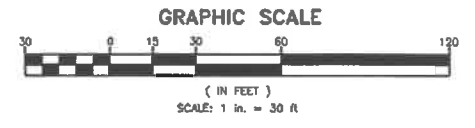
- THE APPROVAL BY THE COMMISSION OF A SUBDIVISION PLAN SHALL NOT BE DEEMED TO CONSTITUTE OR BE EVIDENCE OF AN ACCEPTANCE BY THE TOWN OF ANY RESPONSIBILITY OR LIABILITY WHATSOEVER FOR THE MAINTENANCE OR CONDITION OF ANY STREET OR DRAINAGE FACILITIES SHOWN ON SAID PLAN OR FOR THE EFFECTS OF DRAINAGE OR OTHER FACTORS RESULTING FROM SAID SUBDIVISION OR OTHER PROPERTIES.
- ALL IMPROVEMENTS SHOWN HEREON SHALL BE COMPLETED BY _____ OR THE APPROVAL OF THIS SUBDIVISION SHALL BECOME NULL AND VOID.
- MAINTENANCE OF ALL ON-SITE DRAINAGE FACILITIES SHALL BE THE RESPONSIBILITY OF THE PROPERTY OWNER.
- ALL DEVELOPMENT ACTIVITIES TO BE UNDERTAKEN WITHIN STREET RIGHT-OF-WAY AND OTHER PUBLIC LANDS SHALL COMPLY FULLY WITH TOWN STANDARDS UNLESS AN APPROVED DONATION IS SPECIFICALLY SET FORTH AS PART OF THIS APPLICATION.
- THE DRAINAGE STRUCTURES AND PROPOSALS INCLUDED IN THIS DEVELOPMENT PROPOSAL WERE DESIGNED BY DIVESTA CIVIL ENGINEERING ASSOCIATES, INC. USING THE BEST ENGINEERING PRACTICES AND WILL NOT PRODUCE ANY NEGATIVE RESULTS FROM STORM RUNOFF ON THIS PROPERTY OR ADJACENT PROPERTIES.

APPROVED BY THE PLANNING AND ZONING COMMISSION, TOWN OF DARIEN, CONNECTICUT
RESOLUTION NUMBER _____ DATE _____
SIGNED _____ DATE _____

SITE PLAN
SCALE: 1"=30'

NOTES:

- EXISTING CONDITIONS TAKEN FROM PLANS PREPARED BY WILLIAMS W. SEYMOUR P.C., DARIEN, CT.
- BEFORE SUBDIVISION MAP CAN BE FILED ON THE LAND RECORDS THE EXISTING STRUCTURES WILL HAVE TO BE REMOVED.
- NEW CURB CUTS WILL HAVE TO BE APPROVED BY DPW.
- ANY WORK DONE IN THE TOWN OF DARIEN R.O.W. WILL REQUIRE A PERMIT FROM DPW.
- CONNECTION TO THE SANITARY MAIN IN THE ROADS WILL REQUIRE APPROVAL FROM SEWER COMMISSION.
- VERTICAL DATUM : NAVD 88.
- PROPERTY LOCATED IN THE R-1 ZONE.
- EXISTING SEPTIC SYSTEMS TO BE FIELD LOCATED AND ABANDON. CONTRACTOR TO NOTIFY THE HEALTH DEPARTMENT.
- HAYBALES ARE TO BE PLACED AROUND CB'S ONCE INSTALLED.
- WRAP CB'S GRATES WITH FILTER FABRIC ONCE INSTALLED.



LEGEND

- 42' --- EXISTING CONTOURS
- 40' --- EXISTING CONTOURS
- 30' --- PROPOSED CONTOURS
- --- PROPERTY LINE
- --- BUILDING SETBACK LINE
- X --- SILT FENCE
- ⊙ --- WATER SERVICE
- ⊕ --- UNDERGROUND UTILITIES
- FM --- SANITARY FORCE MAIN
- ⊗ --- TREES TO BE REMOVED
- ⊕ --- DEEP TEST HOLES
- ⊕ --- PERCOLATION TEST HOLE

IMPORTANT NOTE:
Additional underground utilities may exist prior to any excavation or construction. CONTACT:
"CALL BEFORE YOU DIG"
1-800-922-4455

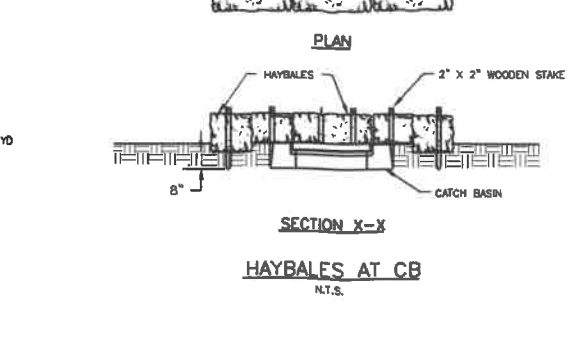
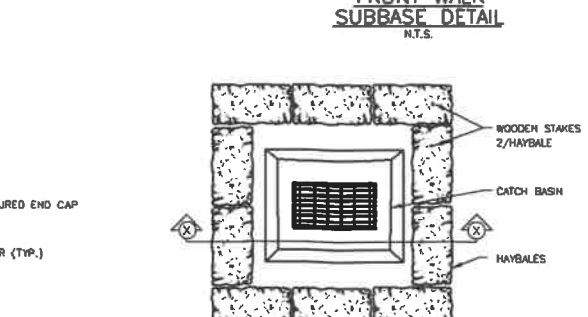
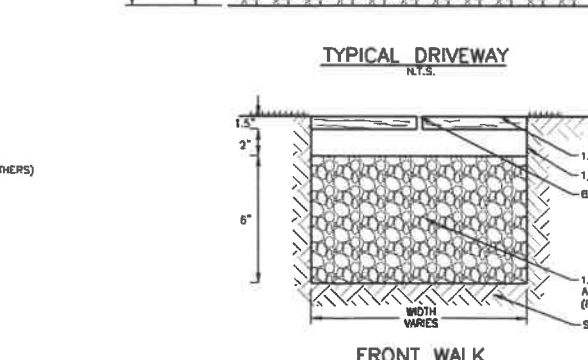
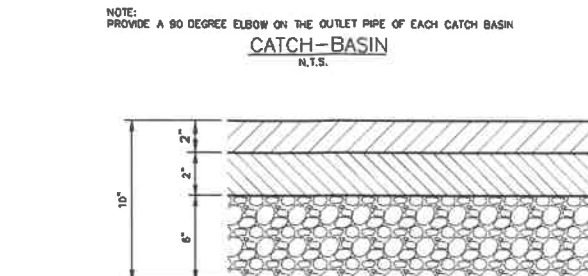
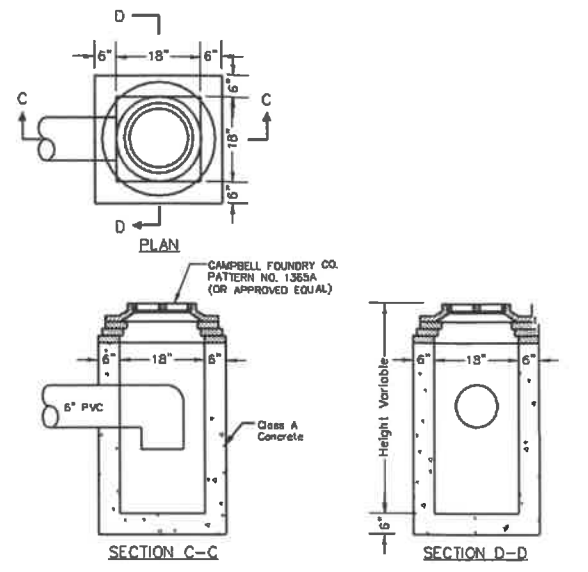
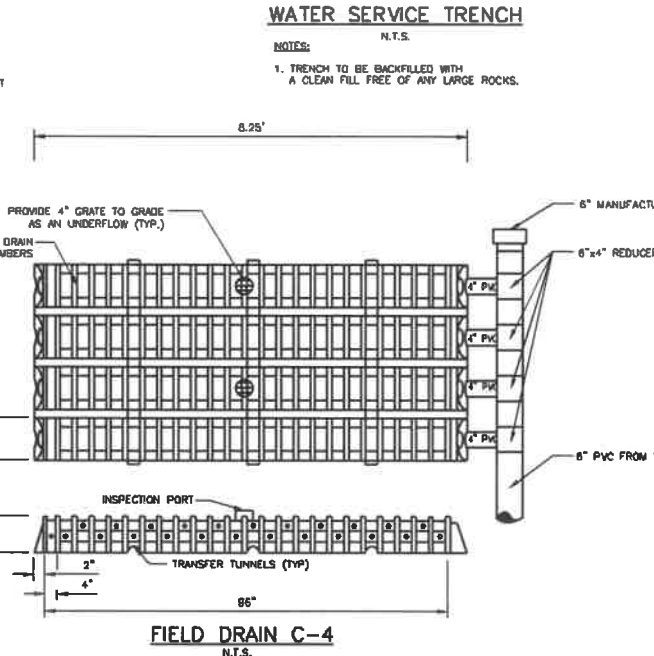
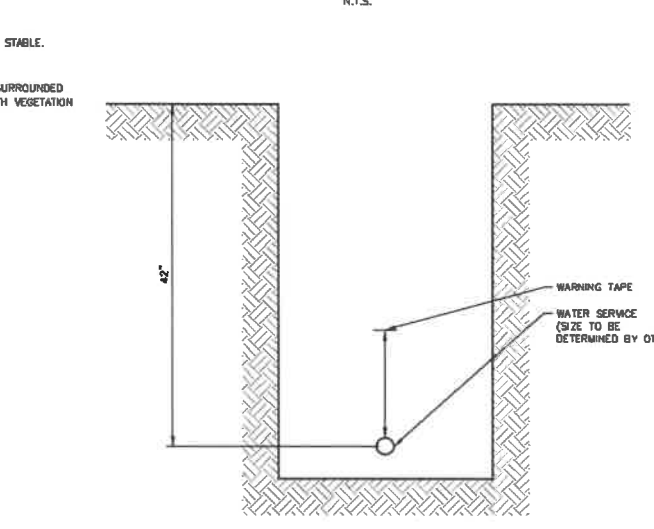
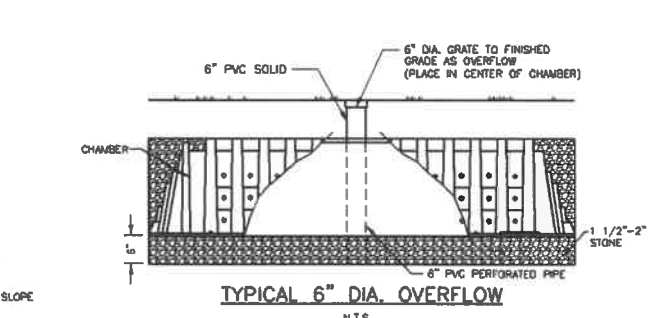
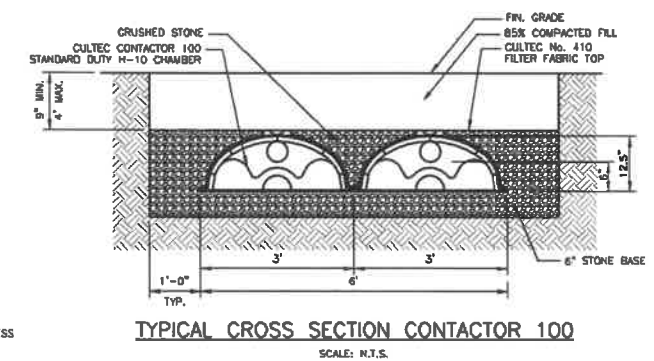
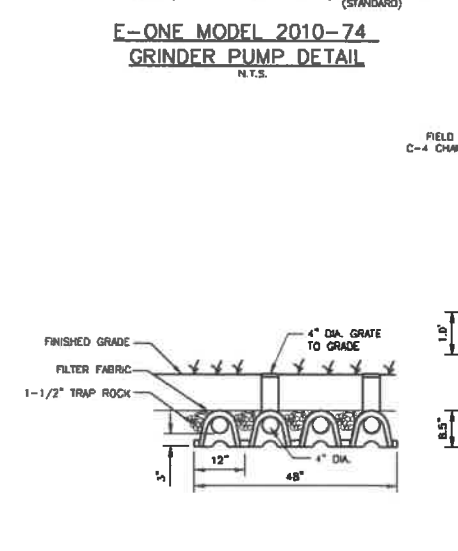
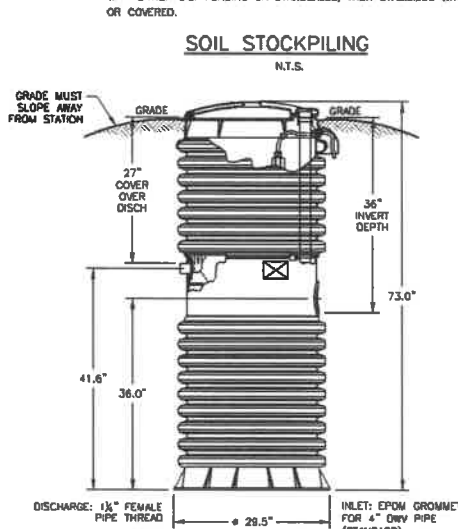
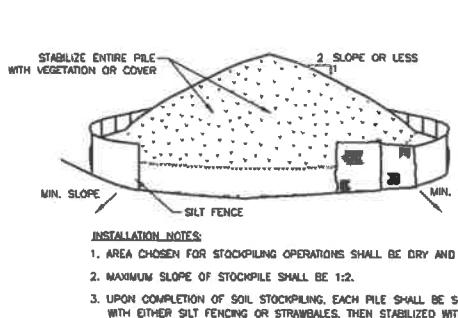
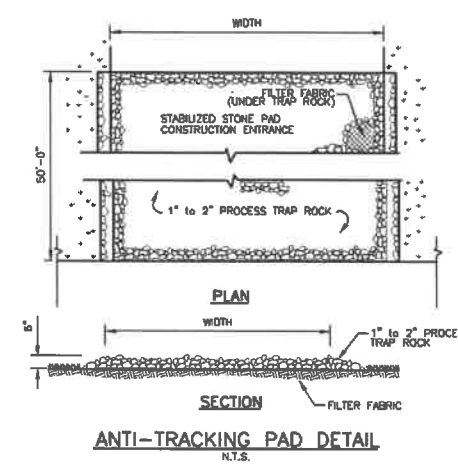
STAMP:

DRAWING NO. **20-036**

DRAWN BY: SDI APPROVED BY: DD

SCALE: 1"=30' DRAWING DATE: 06/11/20

SHEET NO. **1 OF 2**



PERCOLATION TEST HOLES LOG

DATE 06/14/93

PERC HOLE P-7

TIME	DEPTH (INCHES)	DROP (INCHES)	INTERVAL (MINUTES)	RATE (MIN./INCH)
13.05	13.63	1.13	10.00	8.89
13.15	14.75	0.75	9.00	12.00
13.24	15.50	0.75	9.00	12.00
13.34	16.00	0.50	10.00	20.00
13.44	16.50	0.50	10.00	20.00
13.54	17.00	0.50	10.00	20.00
14.05	17.25	0.25	11.00	44.00

FINAL PERCOLATION RATE: 44.00 MIN/INCH

PERC HOLE P-6

TIME	DEPTH (INCHES)	DROP (INCHES)	INTERVAL (MINUTES)	RATE (MIN./INCH)
13.02	14.25	1.25	12.00	9.60
13.14	15.50	0.75	9.00	10.67
13.22	16.25	0.75	9.00	18.00
13.31	16.75	0.50	10.00	13.33
13.41	17.50	0.75	10.00	20.00
13.51	17.63	0.13	10.00	80.00
14.02	18.00	0.38	11.00	29.33

FINAL PERCOLATION RATE: 29.33 MIN/INCH

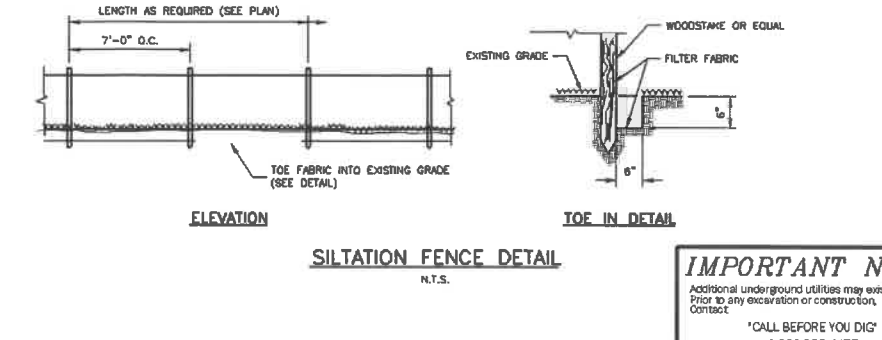
EROSION AND SEDIMENTATION CONTROL NOTES

- ALL EROSION AND SEDIMENTATION CONTROLS SHALL BE CONSTRUCTED, INSTALLED AND MAINTAINED IN ACCORDANCE WITH THE 2002 CONNECTICUT GUIDELINES FOR SOIL EROSION AND SEDIMENT CONTROL AND TOWN OF DARIEN REGULATIONS.
- ALL CONTROL MEASURES SHALL BE INSTALLED AS SHOWN ON THE PLAN(S).
- ALL CONTROL MEASURES SHALL BE INSPECTED AND APPROVED BY THE TOWN PRIOR TO COMMENCEMENT OF ANY WORK, INCLUDING PRE-CONSTRUCTION CLEARING AND GRUBBING.
- ALL CONTROL MEASURES SHALL BE MAINTAINED AND UPGRADED AS REQUIRED TO ACHIEVE PROPER SEDIMENT CONTROL THROUGHOUT THE CONSTRUCTION PERIOD AND UNTIL ALL DISTURBED AREAS HAVE BEEN THOROUGHLY STABILIZED.
- NO CONTROL MEASURES SHALL BE REMOVED WITHOUT APPROVAL FROM THE TOWN.
- ADDITIONAL CONTROL MEASURES SHALL BE INSTALLED DURING THE CONSTRUCTION PERIOD IF DEEMED NECESSARY BY THE TOWN OR ITS AUTHORIZED AGENT.
- THE LIMITS OF CLEARING, GRUBBING AND DISTURBANCE, AS SHOWN ON THE PLANS, SHALL BE KEPT TO A MINIMUM WITHIN THE APPROVED AREA OF CONSTRUCTION. ALL AREAS OUTSIDE THE LIMITS OF CLEARING SHALL REMAIN TOTALLY UNDISTURBED.
- ANY CONTROL MEASURES RETAINING SEDIMENT OVER 1/2 THEIR HEIGHT SHALL HAVE THE SEDIMENT IMMEDIATELY REMOVED, AND ALL DAMAGED CONTROL MEASURES SHALL BE REMOVED AND REPLACED.
- ALL CATCH BASINS LOCATED DOWN-GRADE OF THE SITE SHALL BE PROTECTED BY PLACING FILTER FABRIC BEHIND THE GRATE UNTIL ALL DISTURBED AREAS HAVE BEEN THOROUGHLY STABILIZED.
- ALL NEW AND EXISTING CATCH BASINS LOCATED ON THE SITE SHALL BE PROTECTED BY STAKED HAYBALES AND BY PLACING FILTER FABRIC BEHIND THE GRATE UNTIL ALL DISTURBED AREAS HAVE BEEN THOROUGHLY STABILIZED.
- ALL SEDIMENT SHALL BE IMMEDIATELY REMOVED FROM NEW AND EXISTING DRAINAGE STRUCTURES AND PIPING IMPACTED BY THE PROPOSED CONSTRUCTION.
- SEDIMENT REMOVED FROM CONTROL MEASURES AND DRAINAGE FACILITIES SHALL BE DISPOSED OF IN A MANNER THAT IS CONSISTENT WITH STATE AND LOCAL REGULATIONS.
- THE PLANTING SEASON FOR THE SPECIFIED SEED MIXTURE SHALL BE AS DEFINED IN THE 2002 CONNECTICUT GUIDELINES FOR SOIL EROSION AND SEDIMENT CONTROL, UNLESS DIRECTED OTHERWISE BY THE TOWN. OUTSIDE OF THESE SPECIFIED DATES, AREAS WILL BE STABILIZED WITH HAYBALE CHECK DAMS, FILTER FABRIC, OR WOODCHIP MULCH AS REQUIRED TO CONTROL EROSION.
- THE CONTRACTOR SHALL TAKE ALL NECESSARY MEASURES TO ENSURE THAT NO DRAINAGE FROM TOWN ROADS EXTENDS THE SITE DURING OR AFTER CONSTRUCTION.
- THE CONTRACTOR SHALL BE RESPONSIBLE TO CONTROL DUST AND WIND EROSION THROUGHOUT THE LIFE OF THE CONTRACT. THE CONTRACTOR SHALL CONTROL DUST TO PREVENT A HAZARD TO TRAFFIC ON ADJACENT ROADWAYS.
- TEMPORARY STOCKPILING OF CONSTRUCTION MATERIALS SHALL ONLY BE ALLOWED IN THE LOCATIONS SHOWN ON THE PLANS. STOCKPILE AREAS SHALL BE FULLY ENCLOSED BY SILT FENCE.
- ALL GROUNDWATER EXTRACTED DURING DEWATERING OF EXCAVATIONS SHALL BE DIRECTED TO A TEMPORARY SEDIMENTATION BASIN.
- THE CONTRACTOR SHALL BE RESPONSIBLE FOR IMPLEMENTING THE EROSION AND SEDIMENTATION CONTROL PLAN. THIS INCLUDES THE INSTALLATION AND MAINTENANCE OF ALL CONTROL MEASURES, INFORMING ALL PARTIES ENGINEERED ON THE CONSTRUCTION SITE OF THE REQUIREMENTS AND OBJECTIVES OF THE PLAN, AND NOTIFYING THE TOWN OF ANY VIOLATION OF THIS RESPONSIBILITY.

DEEP TEST HOLES LOG

DATE 06/14/93

DEEP TEST HOLE #7	DEEP TEST HOLE #8
0" - 20" TOPSOIL	0" - 16" TOPSOIL
20" - 33" RED BROWN FINE SILTY SANDY LOAM	16" - 44" RED BROWN FINE SILTY LOAM
33" - 66" OLIVE BR MOD COMP SANDY TILL	44" - 66" OLIVE BR MOD COMP SILTY LOAM
66" - 88" OLIVE BROWN COMP SILTY LOAM	NO LEDGE
NO LEDGE	NO GROUNDWATER
NO GROUNDWATER	MOTTLING @ 52"
NO MOTTLING	ROOTS TO 48"
ROOTS TO 24"	
DEEP TEST HOLE #9	DEEP TEST HOLE #10
0" - 15" TOPSOIL	0" - 12" TOPSOIL
15" - 22" RED BROWN FINE SILTY W/TR SAND	12" - 20" RED BROWN FINE SILTY W/TR SAND
22" - 45" OLIVE BR MOD COMP HARDPAN	20" - 26" RED BROWN FINE SILTY LOAM
NO LEDGE	26" - 31" OLIVE BR FINE SILTY SANDY LOAM
NO GROUNDWATER	31" - 43" RED BROWN FINE SILTY LOAM
NO MOTTLING	43" - 80" OLIVE BR MOD COMP SILTY LOAM
ROOTS TO 21"	NO LEDGE
	NO GROUNDWATER
	MOTTLING @ 25"
	ROOTS TO 24"
DEEP TEST HOLE #11	DEEP TEST HOLE #12
0" - 11" TOPSOIL	0" - 10" TOPSOIL
11" - 26" YELLOW BR FINE TO MED SANDY TILL	10" - 24" RED BROWN FINE SILTY LOAM
26" - 82" OLIVE BROWN MEDIUM SANDY TILL	24" - 46" OLIVE BROWN SANDY SILTY LOAM
NO LEDGE	46" - 86" OLIVE BROWN SANDY TILL W/ NUMEROUS ROCKS
NO GROUNDWATER	NO LEDGE
NO MOTTLING	NO GROUNDWATER
ROOTS TO 15"	NO MOTTLING
	ROOTS TO 51"
DEEP TEST HOLE #13	DEEP TEST HOLE #14
0" - 14" TOPSOIL	0" - 12" TOPSOIL
14" - 30" RED BROWN FINE SILTY SANDY LOAM	12" - 38" RED BROWN FINE SILTY LOAM
30" - 39" GRAY MOTTEL FINE SILTY LOAM	LEDDGE @ 39"
39" - 84" OLIVE BROWN HARDPAN	NO GROUNDWATER
NO LEDGE	NO MOTTLING
NO GROUNDWATER	ROOTS TO 38"
MOTTLING @ 22"	
ROOTS TO 24"	
DEEP TEST HOLE #15	
0" - 12" TOPSOIL	
12" - 39" RED BROWN FINE SILTY LOAM	
39" - 88" RED BROWN SILTY HARDPAN	
NO LEDGE	
NO GROUNDWATER	
MOTTLING @ 19"	
ROOTS TO 34"	



NO.	DATE	SDI	REV. BY	DESCRIPTION
1.	04/13/18	SDI	REV. BY	FOR SUBMISSION TO P & Z

Divesta
Civil Engineering Associates, Inc.

51 Painter Ridge Road
Roxbury, Connecticut 06783
Phone 860-354-4226 Fax 860-354-4226
E-mail dceainc@charter.net

2005 IRREVOCABLE KIRMAR TRUST
90 PEAR TREE POINT ROAD
DARIEN, CONNECTICUT

DETAILS

NOT REPRODUCED WITHOUT ORIGINAL SEAL AND SIGNATURE

DRAWING NO. **20-036**

DRAWN BY: SDI APPROVED BY: DD

SCALE: AS NOTED DRAWING DATE: 06/11/20

SHEET NO. **2 OF 2**

IMPORTANT NOTE:
Additional underground utilities may exist prior to any excavation or construction. **CALL BEFORE YOU DIG!**
1-800-922-4455