

NO.	DATE	REV. BY	DESCRIPTION	ISSUE / REVISION
2	09/29/20	SDI	GENERAL REVISIONS PER REVIEW COMMENTS	
1	07/29/20	SDI	FOR SUBMISSION TO EPC	

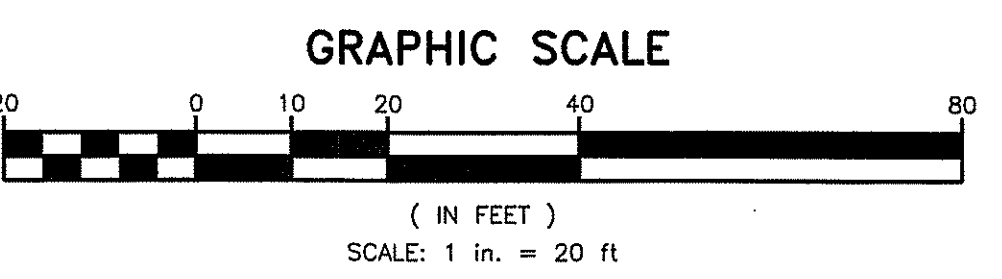
Divesta
Civil Engineering Associates, Inc.
51 Painter Ridge Road
Roxbury, Connecticut 06783
Phone 860-354-4226 Fax 860-354-4226
E-mail dcainc@charter.net

BROWN RESIDENCE
26 PEACH HILL ROAD
DARIEN, CONNECTICUT
PROPOSED SITE DEVELOPMENT PLAN

RECEIVED
SEP 24 2020
TOWN OF DARIEN
PLANNING & ZONING

LEGEND

--- .73 ---	EXISTING CONTOURS
--- .70 ---	EXISTING CONTOURS
--- .72 ---	PROPOSED CONTOURS
---	PROPERTY LINE
---	BUILDING SETBACK LINE
△	WETLAND
△	UPLAND REVIEW AREA
⊗	TREES TO BE REMOVED
x	SILT FENCE
○	TREE PROTECTION
DTH #	DEEP TEST HOLES
P-#	PERCOLATION TEST HOLE
○	UNDERGROUND UTILITIES



- SITE PLAN**
SCALE: 1"=20'
- NOTES:**
- EXISTING CONDITIONS HAVE BEEN TAKEN FROM PLANS PREPARED BY ARCAMONE LAND SURVEYING, LLC, NORWALK, CT, TITLED ZONING LOCATION SURVEY DATED 4/8/20.
 - PROPOSED GRADING HAVE BEEN TAKEN FROM PLANS PREPARED BY ECKERSON DESIGN ASSOCIATES, LANDSCAPE ARCHITECT, NORWALK, CT, DATED 7/17/20.
 - WETLAND FIELD FLAGGED BY JIM MCMANUS, OF JIM WETLANDS CONSULTING SERVICES, LLC, NEWTOWN, CT.
 - ABANDONMENT OF THE EXISTING SEPTIC SHALL BE UNDER THE SUPERVISION OF THE DARIEN HEALTH DEPARTMENT.
 - POOL EQUIPMENT WILL BE PLACED IN HOUSE.
 - PROJECT SURVEYOR IS TO FIELD LOCATE AND SHOW ON AS-BUILT DRAWING ALL UTILITIES AND BURIED INFRASTRUCTURES AND PROVIDE THE POINT FROM PERMANENT FEATURES FOR FUTURE USE. A PROFESSIONAL ENGINEER LICENSED IN THE STATE OF CONNECTICUT IS TO PROVIDE CERTIFICATION FOR THE STORMWATER MANAGEMENT SYSTEM.
 - ANY AND ALL WORK WITHIN THE TOWN OF DARIEN RIGHT-OF-WAY WILL REQUIRE A PERMIT FROM DPW.
 - A PERMIT WILL BE REQUIRED FROM DPW TO CONNECT INTO THE EXISTING SANITARY SEWER.

IMPORTANT NOTE:
Additional underground utilities may exist
Prior to any excavation or construction,
Contact:
"CALL BEFORE YOU DIG"
1-800-922-4455

STAMP:

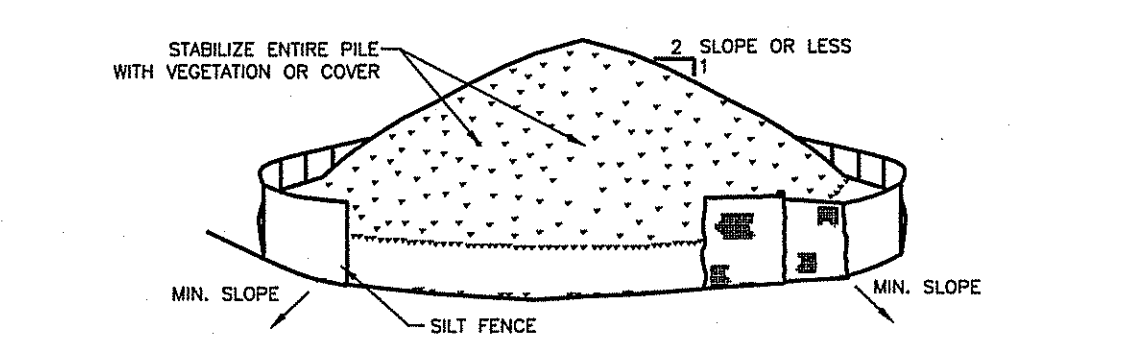
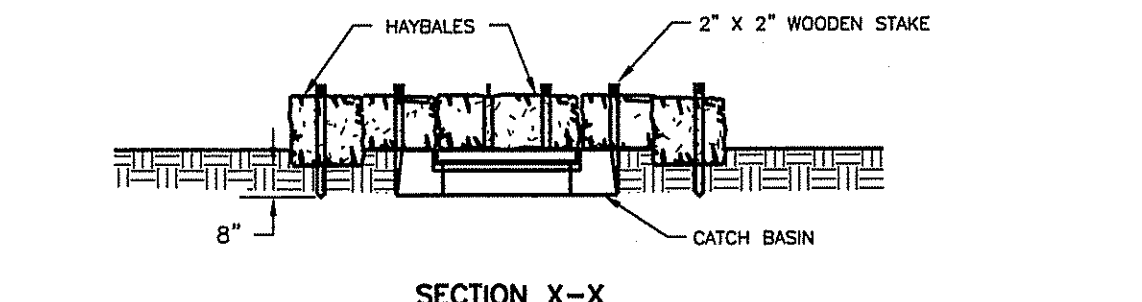
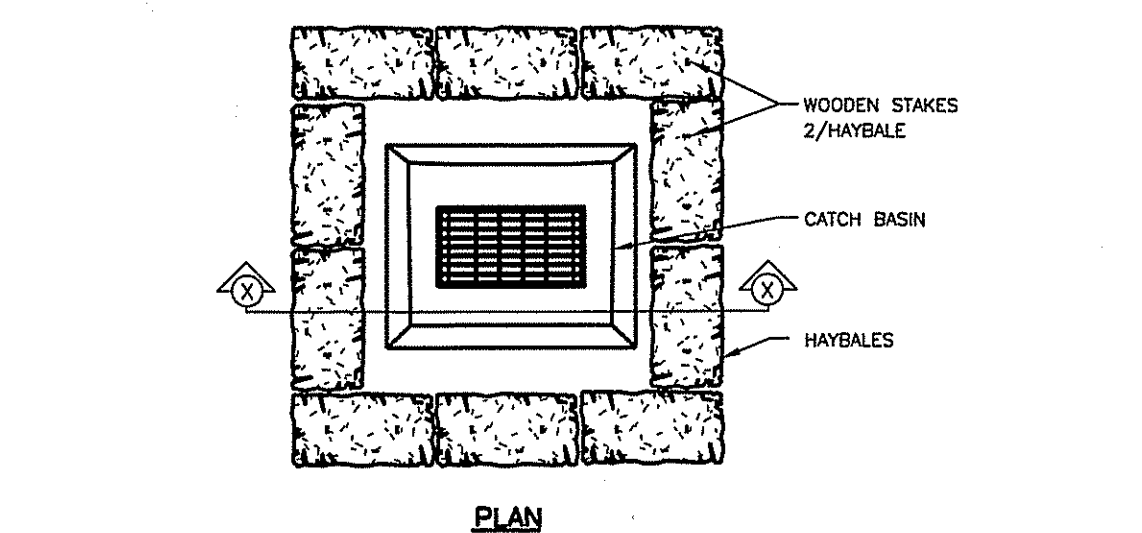
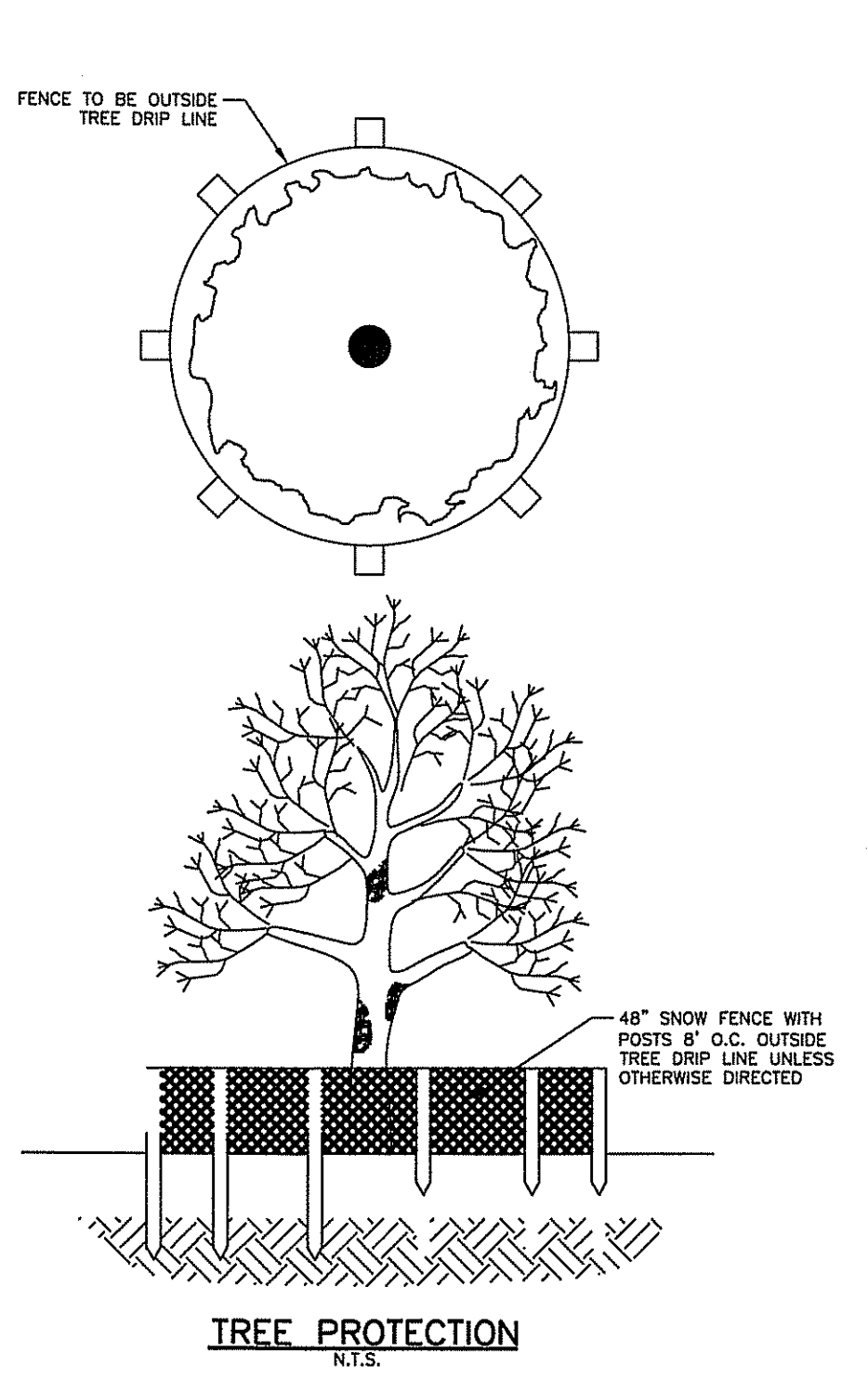
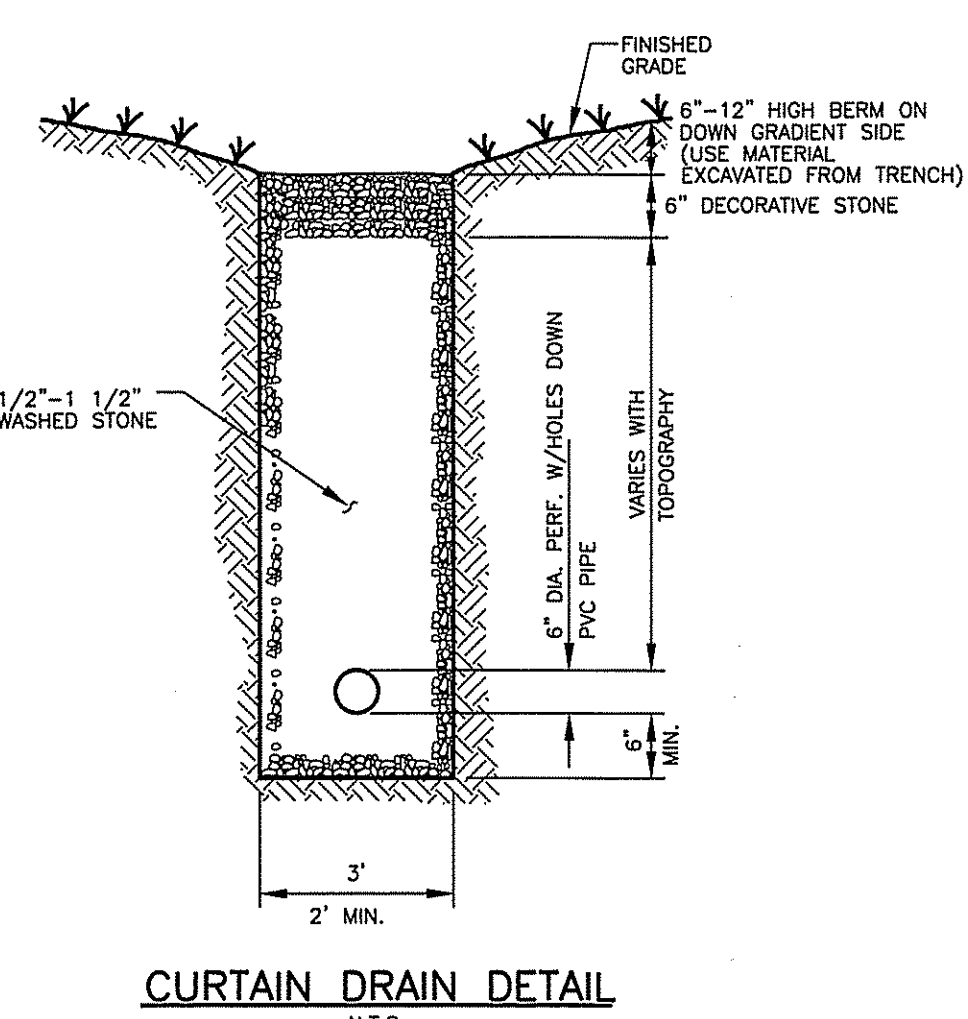
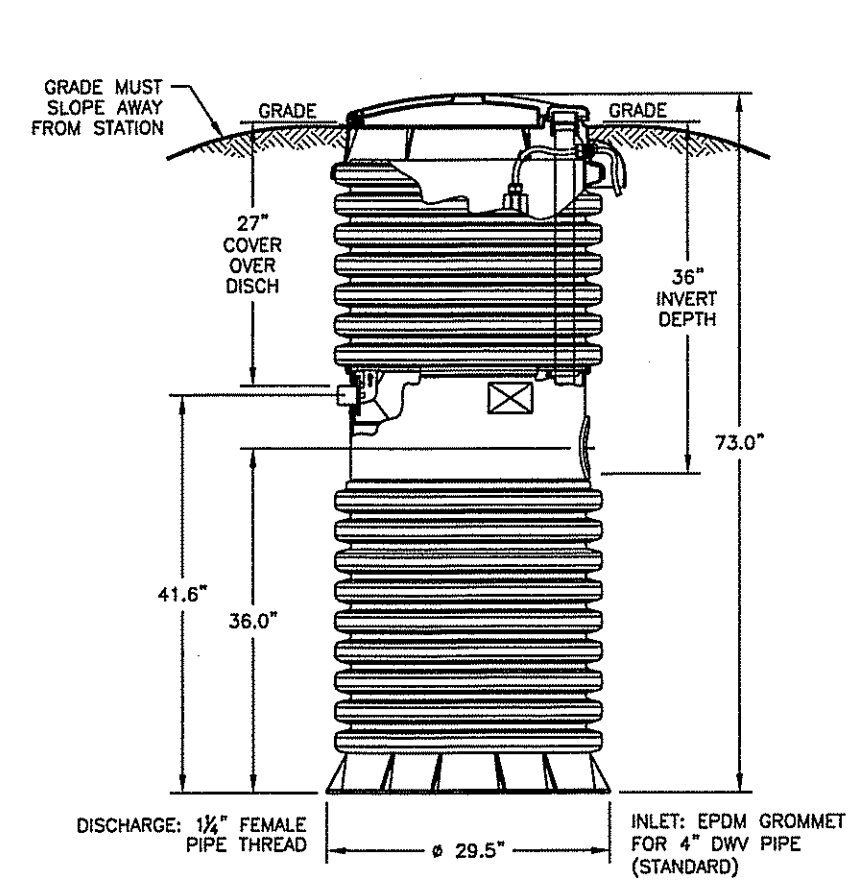
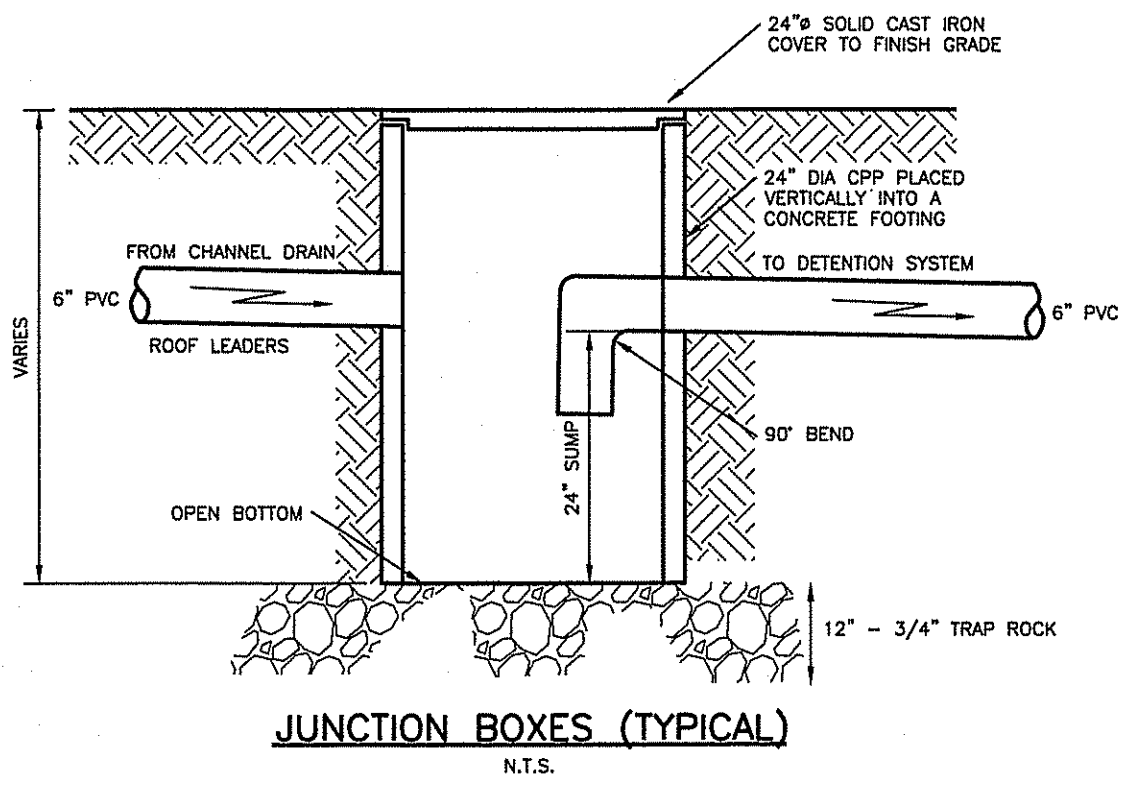
NOT VALID WITHOUT ORIGINAL SEAL AND SIGNATURE

DRAWING NO. **20-042**

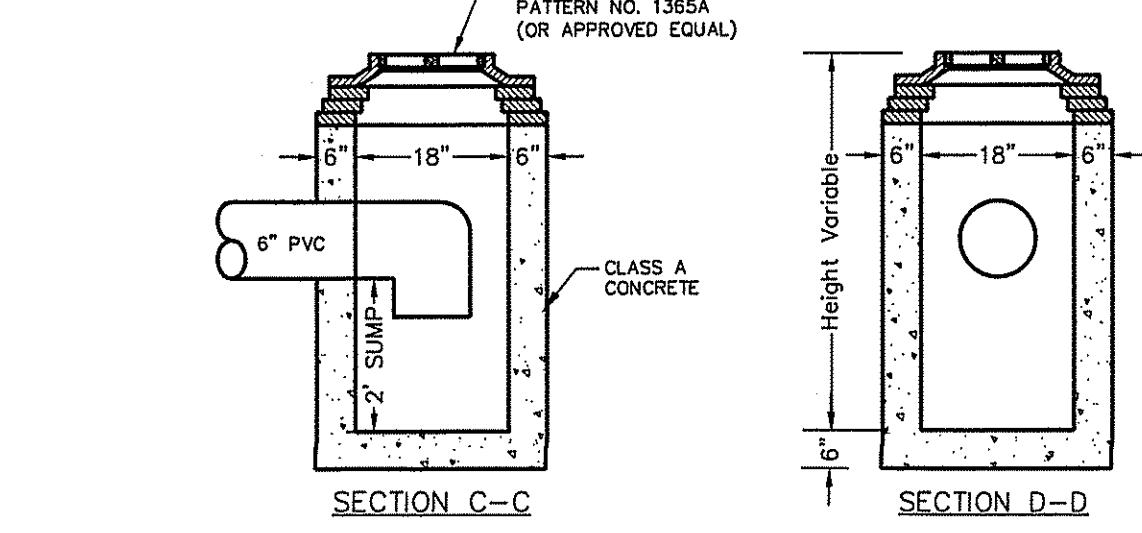
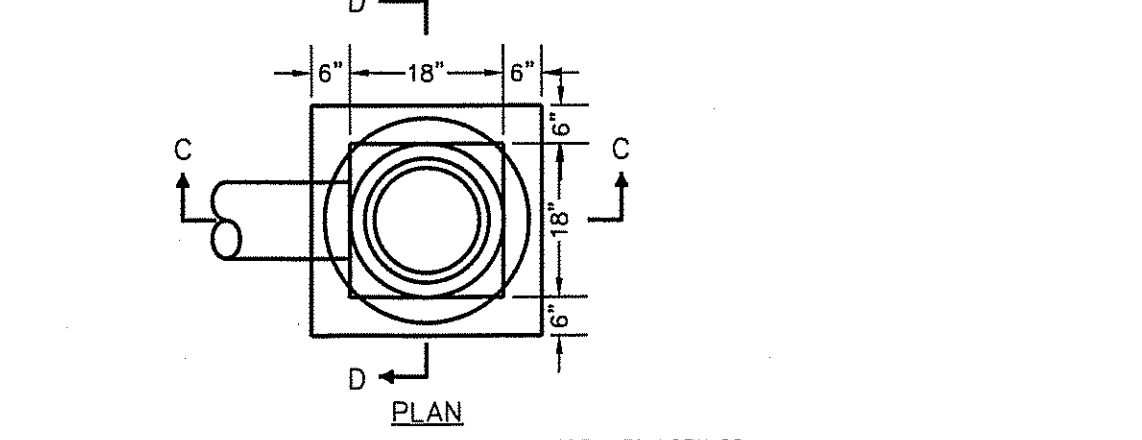
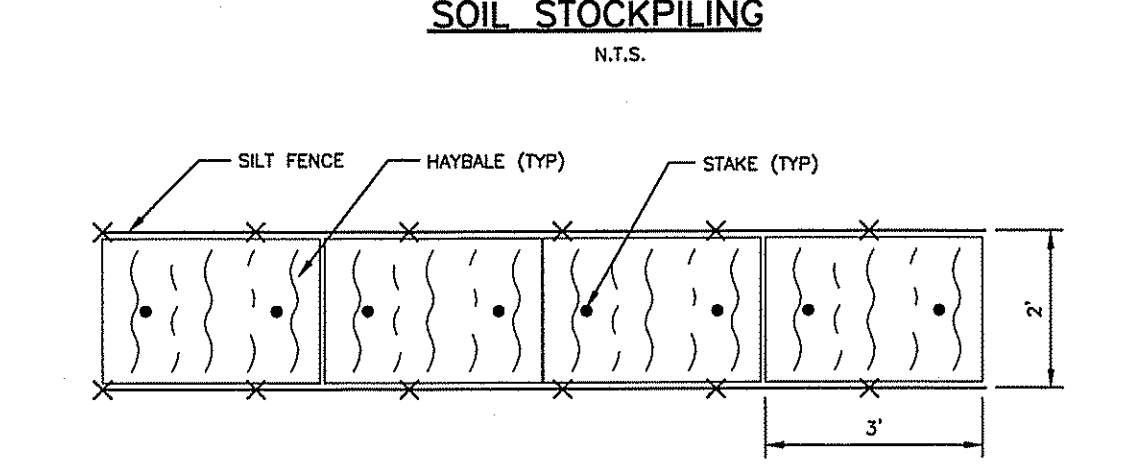
DRAWN BY: SDI APPROVED BY: DD

SCALE: 1"=20' DRAWING DATE: 07/29/20

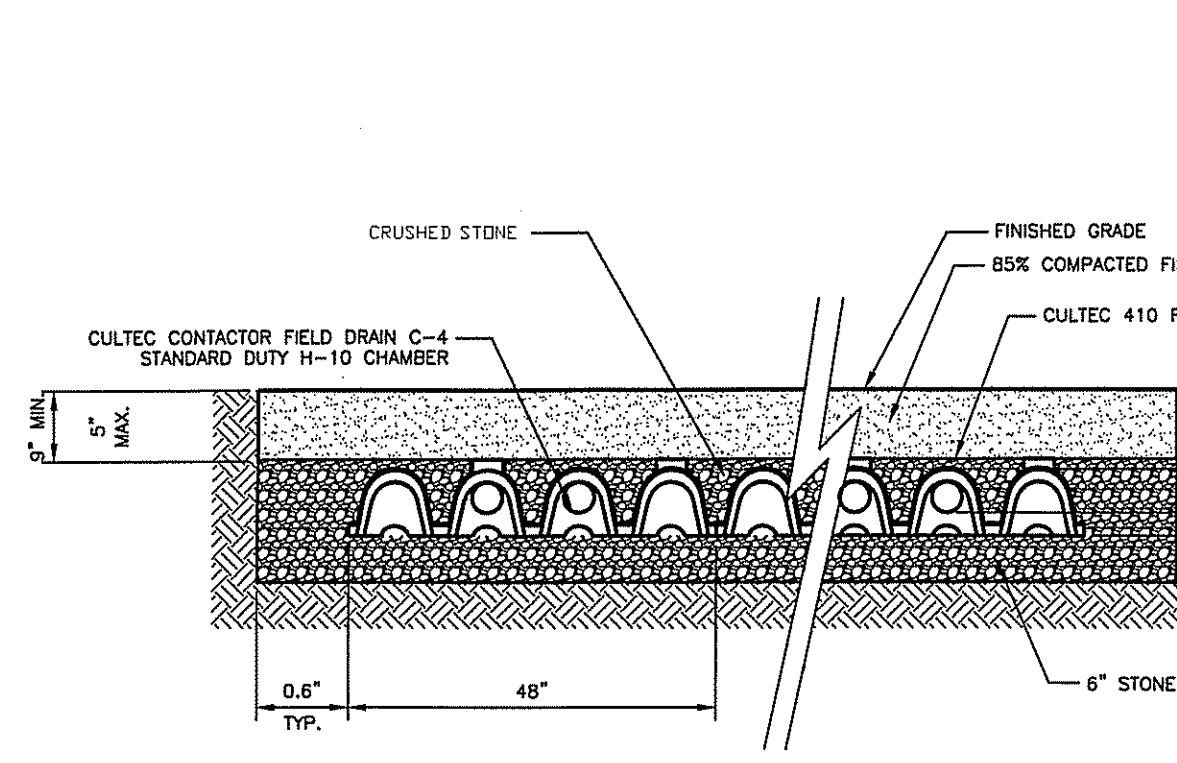
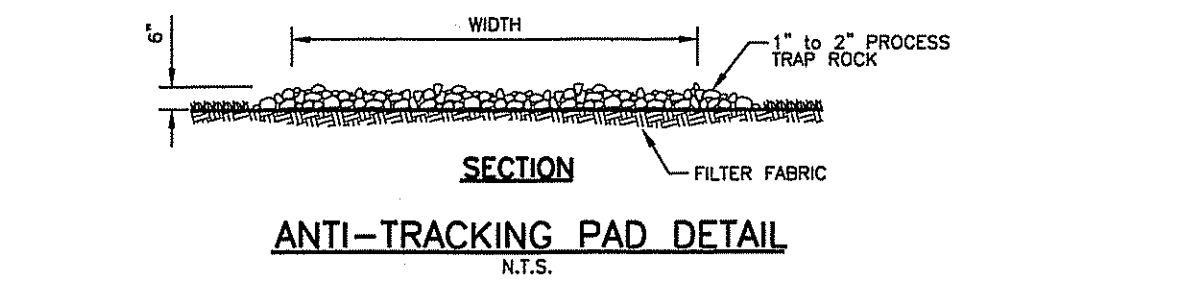
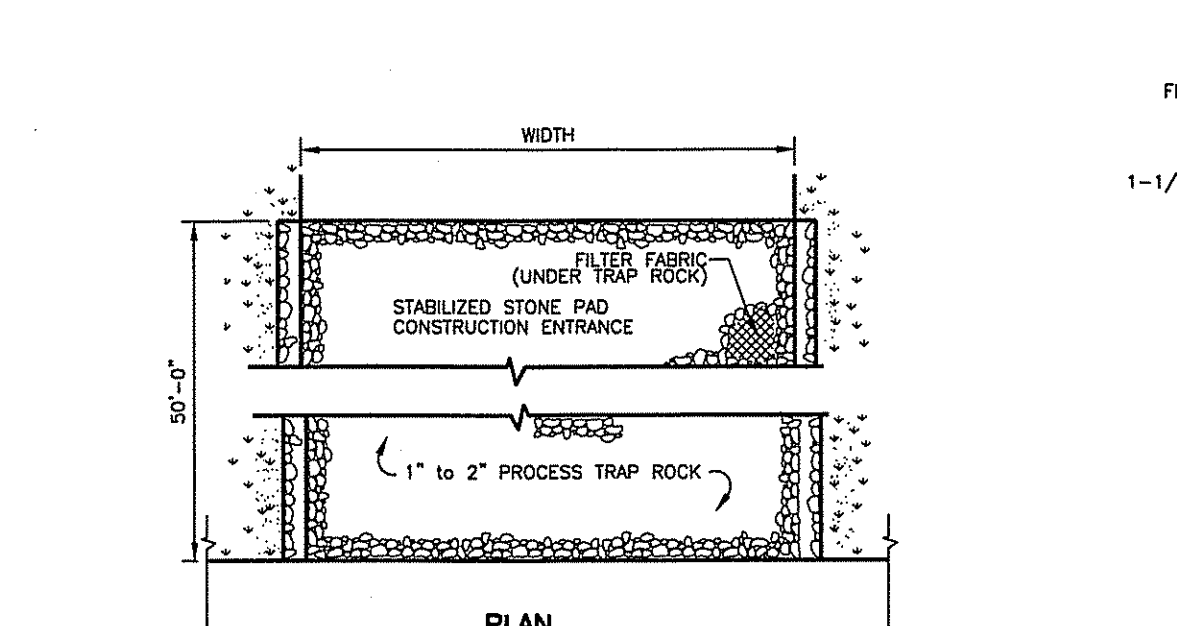
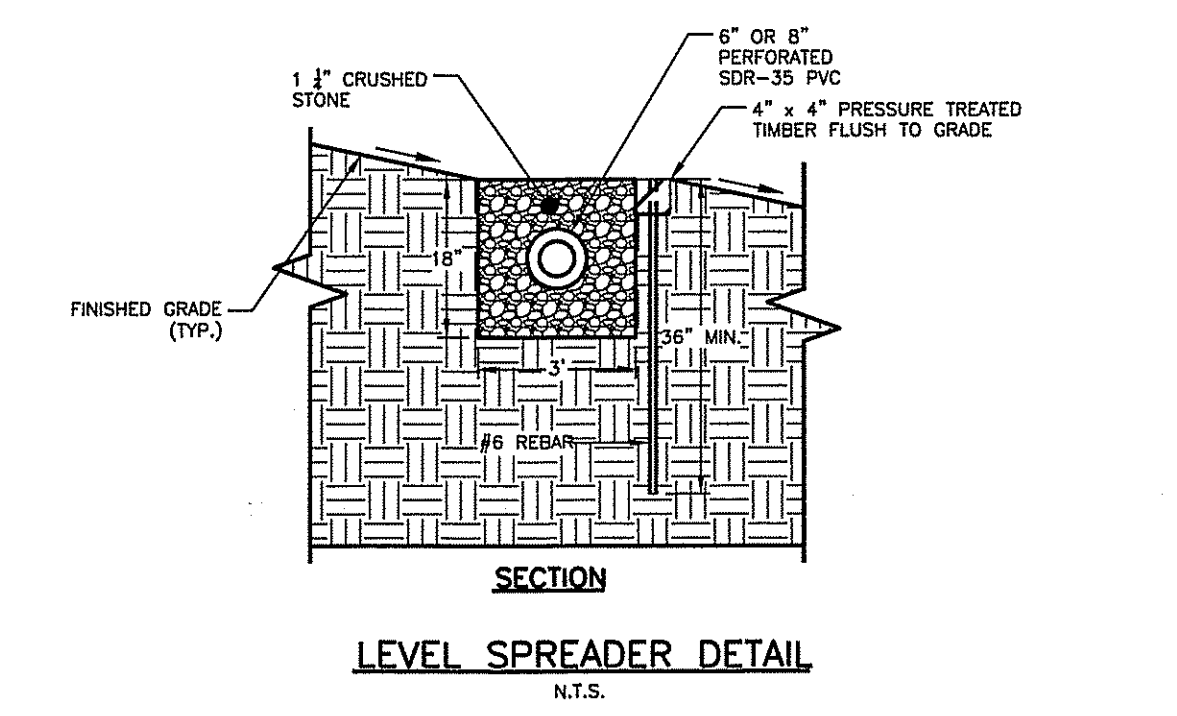
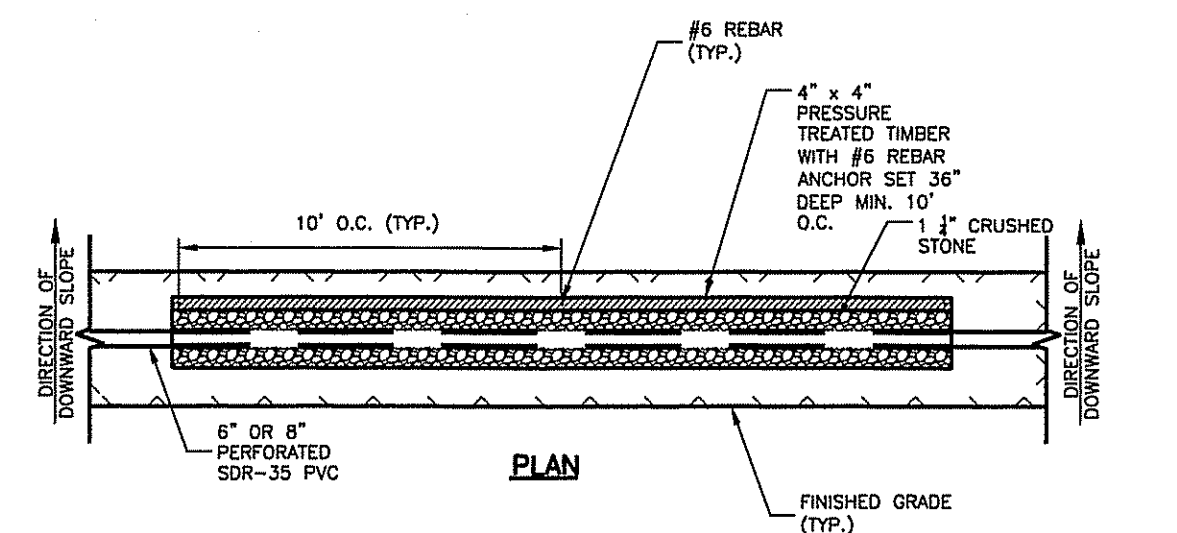
SHEET NO. **1 OF 2**



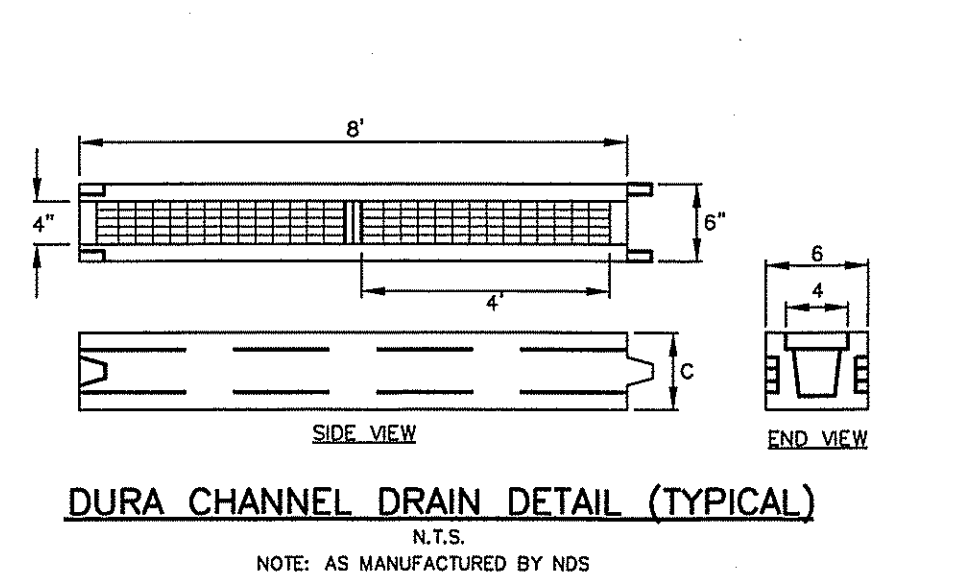
- INSTALLATION NOTES:
1. AREA CHOSEN FOR STOCKPILING OPERATIONS SHALL BE DRY AND STABLE.
 2. MAXIMUM SLOPE OF STOCKPILE SHALL BE 1:2.
 3. UPON COMPLETION OF SOIL STOCKPILING, EACH PILE SHALL BE SURROUNDED WITH EITHER SILT FENCING OR STRAWBALES, THEN STABILIZED WITH VEGETATION OR COVERED.



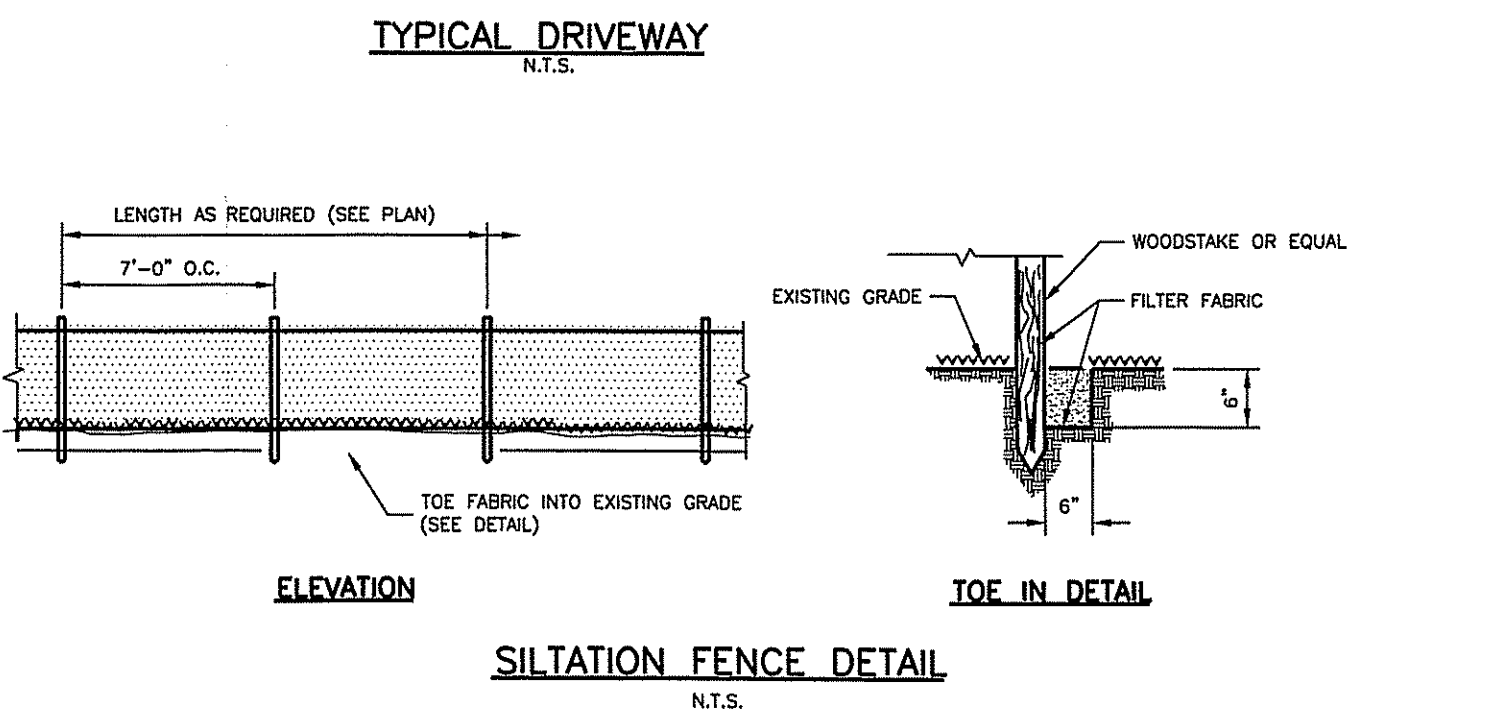
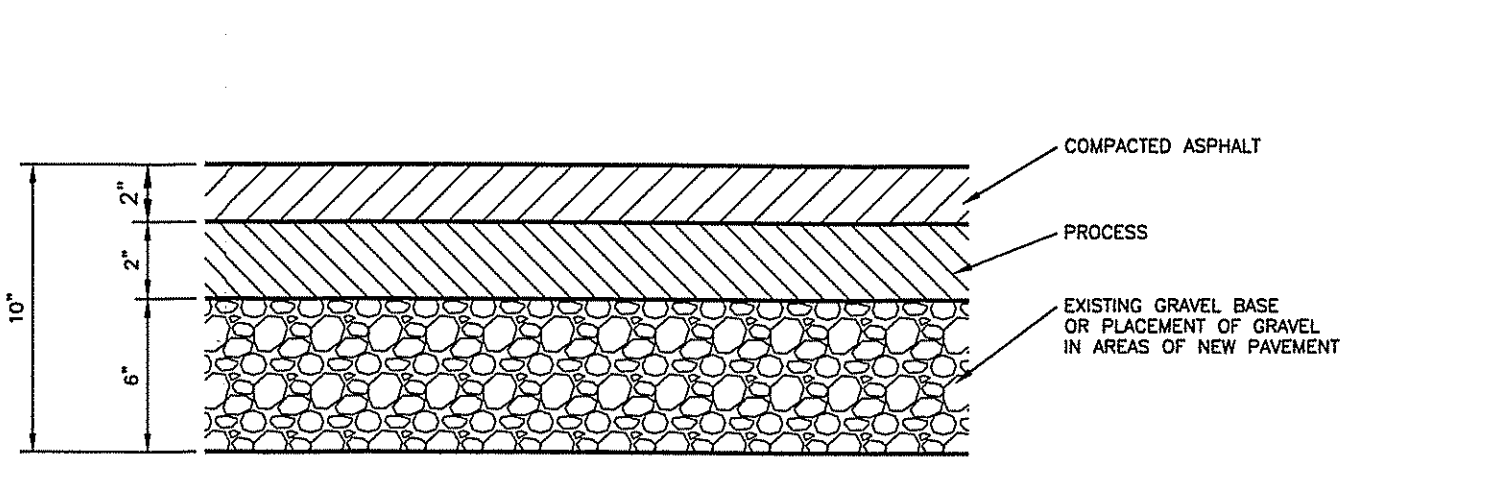
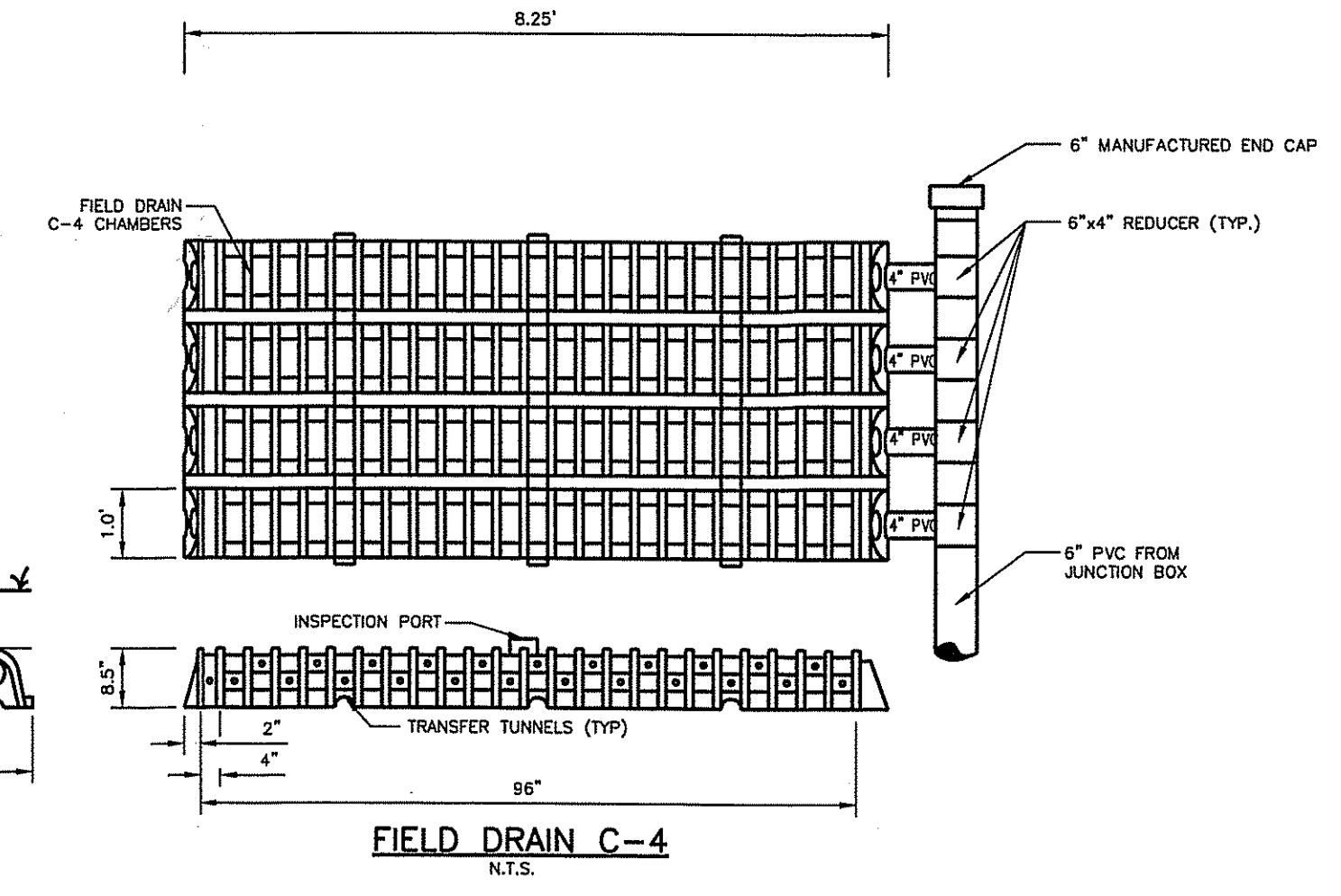
NOTE: PROVIDE A 90 DEGREE ELBOW ON THE OUTLET PIPE OF EACH CATCH BASIN



SCALE: N.T.S.



NOTE: AS MANUFACTURED BY NOS



EROSION AND SEDIMENTATION CONTROL NOTES

1. ALL EROSION AND SEDIMENTATION CONTROLS SHALL BE CONSTRUCTED, INSTALLED AND MAINTAINED IN ACCORDANCE WITH THE 2002 CONNECTICUT GUIDELINES FOR SOIL EROSION AND SEDIMENT CONTROL AND TOWN OF DARIEN REGULATIONS.
2. ALL CONTROL MEASURES SHALL BE INSTALLED AS SHOWN ON THE PLAN(S).
3. ALL CONTROL MEASURES SHALL BE INSPECTED AND APPROVED BY THE TOWN PRIOR TO COMMENCEMENT OF ANY WORK, INCLUDING PRE-CONSTRUCTION CLEARING AND GRUBBING.
4. ALL CONTROL MEASURES SHALL BE MAINTAINED AND UPGRADED AS REQUIRED TO ACHIEVE PROPER SEDIMENT CONTROL THROUGHOUT THE CONSTRUCTION PERIOD AND UNTIL ALL DISTURBED AREAS HAVE BEEN THOROUGHLY STABILIZED.
5. NO CONTROL MEASURES SHALL BE REMOVED WITHOUT APPROVAL FROM THE TOWN.
6. ADDITIONAL CONTROL MEASURES SHALL BE INSTALLED DURING THE CONSTRUCTION PERIOD IF DEEMED NECESSARY BY THE TOWN OR ITS AUTHORIZED AGENT.
7. THE LIMITS OF CLEARING, GRADING AND DISTURBANCE, AS SHOWN ON THE PLAN(S), SHALL BE KEPT TO A MINIMUM WITHIN THE APPROVED AREA OF CONSTRUCTION. ALL AREAS OUTSIDE THE LIMITS OF CLEARING SHALL REMAIN TOTALLY UNDISTURBED.
8. ANY CONTROL MEASURES RETAINING SEDIMENT OVER 1/2 THEIR HEIGHT SHALL HAVE THE SEDIMENT IMMEDIATELY REMOVED, AND ALL DAMAGED CONTROL MEASURES SHALL BE REMOVED AND REPLACED.
9. ALL CATCH BASINS LOCATED DOWN-GRADE OF THE SITE SHALL BE PROTECTED BY PLACING FILTER FABRIC BENEATH THE GRATE UNTIL ALL DISTURBED AREAS HAVE BEEN THOROUGHLY STABILIZED.
10. ALL NEW AND EXISTING CATCH BASINS LOCATED ON THE SITE SHALL BE PROTECTED BY STAKED HAYBALES AND BY PLACING FILTER FABRIC BENEATH THE GRATE UNTIL ALL DISTURBED AREAS HAVE BEEN THOROUGHLY STABILIZED.
11. ALL SEDIMENT SHALL BE IMMEDIATELY REMOVED FROM NEW AND EXISTING DRAINAGE STRUCTURES AND PIPING IMPACTED BY THE PROPOSED CONSTRUCTION.
12. SEDIMENT REMOVED FROM CONTROL MEASURES AND DRAINAGE FACILITIES SHALL BE DISPOSED OF IN A MANNER THAT IS CONSISTENT WITH STATE AND LOCAL REGULATIONS.
13. THE PLANTING SEASONS FOR THE SPECIFIED SEED MIXTURE SHALL BE AS DEFINED IN THE 2002 CONNECTICUT GUIDELINES FOR SOIL EROSION AND SEDIMENT CONTROL, UNLESS DIRECTED OTHERWISE BY THE TOWN. OUTSIDE OF THESE SPECIFIED DATES, AREAS WILL BE STABILIZED WITH HAYBALE CHECK DAMS, FILTER FABRIC, OR WOODCHIP MULCH AS REQUIRED TO CONTROL EROSION.
14. THE CONTRACTOR SHALL TAKE ALL NECESSARY MEASURES TO ENSURE THAT NO DRAINAGE FROM TOWN ROADS ENTERS THE SITE DURING OR AFTER CONSTRUCTION.
15. THE CONTRACTOR SHALL BE RESPONSIBLE TO CONTROL DUST AND WIND EROSION THROUGHOUT THE LIFE OF THE CONTRACT. THE CONTRACTOR SHALL CONTROL DUST TO PREVENT A HAZARD TO TRAFFIC ON ADJACENT ROADWAYS.
16. TEMPORARY STOCKPILING OF CONSTRUCTION MATERIALS SHALL ONLY BE ALLOWED IN THE LOCATIONS SHOWN ON THE PLAN(S). STOCKPILE AREAS SHALL BE FULLY ENCLOSED BY SILT FENCE.
17. ALL GROUNDWATER EXTRACTED DURING DEWATERING OF EXCAVATIONS SHALL BE DIRECTED TO A TEMPORARY SEDIMENTATION BASIN.
18. THE CONTRACTOR SHALL BE RESPONSIBLE FOR IMPLEMENTING THE EROSION AND SEDIMENTATION CONTROL PLAN. THIS INCLUDES THE INSTALLATION AND MAINTENANCE OF ALL CONTROL MEASURES, INFORMING ALL PARTIES ENGAGED ON THE CONSTRUCTION SITE OF THE REQUIREMENTS AND OBJECTIVES OF THE PLAN, AND NOTIFYING THE TOWN OF ANY TRANSFER OF THIS RESPONSIBILITY.

WELL ABANDONING NOTES:

- a. THE WELL SHALL BE CHLORINATED PRIOR TO ABANDONMENT USING A CHLORINE SOLUTION WITH A MINIMUM CONCENTRATION OF ONE HUNDRED FIFTY PARTS PER MILLION (150 PPM) OF RESIDUAL CHLORINE.
- b. THE WELL SHALL BE CHECKED FROM LAND SURFACE TO THE ENTIRE DEPTH BEFORE IT IS SEALED, TO INSURE AGAINST THE PRESENCE OF ANY OBSTRUCTION THAT WILL INTERFERE WITH SEALING OPERATIONS.
- c. ALL CASING AND SCREEN MATERIALS THAT HAVE SALVAGE VALUE MAY BE REMOVED BY THE CONTRACTOR.
- d. THE WELL BORE SHALL BE LIFTED AND SEALED WITH ANY OF THE FOLLOWING MATERIALS: HEAT CEMENT GROUT, SAND CEMENT GROUT, BENTONITE GROUT, OR SAND/CLAY OR BENTONITE CEMENT GROUT.
- e. THE GROUT MATERIAL SHALL BE PLACED THROUGH A PIPE EXTENDING TO THE BOTTOM OF THE WELL, WHICH SHALL BE RAISED AS THE WELL IS FILLED.
- f. ANY WELL CONSTRUCTED IN A CONSOLIDATED ROCK FORMATION, MAY BE FILLED WITH FINE SAND IN THE ZONE OR ZONES OF CONSOLIDATED ROCK AND THE REMAINING PORTIONS OF THE WELL SHALL BE FILLED WITH ANY OF THE MATERIALS AS SPECIFIED IN SUBSECTION (F).
- g. UPON COMPLETION OF ABANDONMENT OF THE WELL, THE TOP OF THE CASING OR GROUT MATERIAL SHALL BE TERMINATED AT LEAST FOUR (4) FEET BELOW THE GROUND SURFACE.

PERCOLATION TEST HOLES LOG

DATE 07/23/20

PERC HOLE P-1

DEPTH: 31 INCHES DIAMETER: 9.0 INCHES
HEAD: 12 INCHES PRESOAK: N/A A.M.

TIME	DEPTH (INCHES)	DROP (INCHES)	INTERVAL (MINUTES)	RATE (MIN./INCH)
11.57	12.63			
12.07	16.63	4.00	10.00	2.50
12.19	18.75	2.13	12.00	5.65
12.31	20.38	1.63	12.00	7.38
12.44	21.63	1.25	13.00	10.40
12.57	22.75	1.13	13.00	11.56

FINAL PERCOLATION RATE: 11.56 MIN/INCH

PERC HOLE P-2

DEPTH: 18 INCHES DIAMETER: 9.0 INCHES
HEAD: 12 INCHES PRESOAK: N/A A.M.

TIME	DEPTH (INCHES)	DROP (INCHES)	INTERVAL (MINUTES)	RATE (MIN./INCH)
12.42	4.38			
12.56	5.25	0.88	14.00	16.00
13.19	6.00	0.75	23.00	30.67
13.42	6.50	0.50	23.00	46.00

FINAL PERCOLATION RATE: 46.00 MIN/INCH

DEEP TEST HOLES LOG

DATE 07/23/20

DEEP TEST HOLE #1	DEEP TEST HOLE #2
0' - 8" TOPSOIL	0' - 4" TOPSOIL
8" - 30" RED BROWN SILTY LOAM	4" - 22" MISC FILL
30" - 102" OLIVE BROWN SA LOAM MOD COMP	22" - 25" ORIGINAL TOPSOIL
NO LEDE	25" - 32" RED BROWN SILTY LOAM
NO GROUNDWATER	32" - 28" MOTTLED HARDPAN
MOTTLING @ 36"	NO LEDE
ROOTS TO 24"	GROUNDWATER @ 65"
	MOTTLING @ 33"
	ROOTS TO 6"

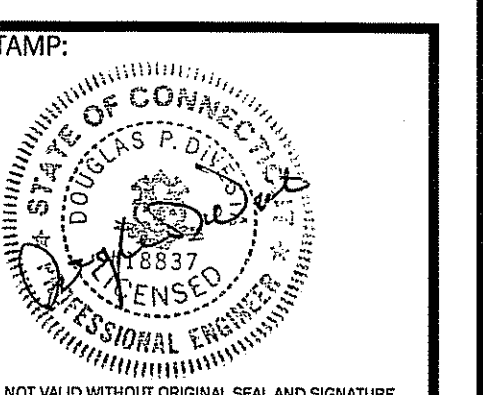
DEEP TEST HOLE #3	DEEP TEST HOLE #4
0' - 15" DARK BROWN SILTY LOAM	0' - 5" TOPSOIL
15" - 48" OLIVE BROWN MOTTEL LOAM	5" - 25" MISC FILL
NO LEDE	25" - 31" ORIGINAL TOPSOIL
NO GROUNDWATER	31" - 35" GRAY MOTTEL SILTY LOAM
MOTTLING @ 15"	NO LEDE
	NO GROUNDWATER
	MOTTLING @ 22"
	ROOTS TO 7"

IMPORTANT NOTE:
Additional underground utilities may exist. Prior to any excavation or construction, contact:
"CALL BEFORE YOU DIG"
1-800-922-4455

NO.	DATE	SDI	FOR SUBMISSION TO EPC	DESCRIPTION	ISSUE / REVISION
1.	07/29/20				

Divesta
Civil Engineering Associates, Inc.
5.1 Painter Ridge Road
Roxbury, Connecticut 06783
Phone 860-354-4226 Fax 860-354-4226
E-mail dcainc@charter.net

BROWN RESIDENCE
26 PEACH HILL ROAD
DARIEN, CONNECTICUT
DETAILS



DRAWING NO. 20-042

DRAWN BY: SDI	APPROVED BY: DD
SCALE: AS NOTED	DRAWING DATE: 07/29/20
SHEET NO. 2 OF 2	